



A Textron Company

**TECHNICAL BULLETIN**

**206L-17-254**

2 February 2018

**MODEL AFFECTED:** 206L, 206L1, 206L3, and 206L4

**SUBJECT:** LINEAR ACTUATOR ELECTRICAL CONNECTOR COVER DAMAGE LIMITS AND REPAIR INSTRUCTIONS, INTRODUCTION OF.

**HELICOPTERS AFFECTED:** Serial numbers 45004 through 45790, 46601 through 46617, 51001 through 51612, and 52001 through 52496.

**COMPLIANCE:** At customer's option.

**DESCRIPTION:**

This Technical Bulletin is issued to notify operators about the introduction of damage limits to the linear actuator connector cover (6D1001) and the introduction of protective nipple (90-115-1).

**APPROVAL:**

The engineering design aspects of this bulletin are Bell Helicopter Engineering approved.

**CONTACT INFO:**

For any questions regarding this bulletin, please contact:

Bell Helicopter Product Support Engineering - Light Helicopters  
Tel: 450-437-2862 / 1-800-363-8023 / pselight@bh.com

**MANPOWER:**

Approximately 0.5 man-hour is required to complete this bulletin. This estimate is based on a hands-on time and may vary with personnel and facilities available.

**WARRANTY:**

There is no warranty credit applicable for parts or labor associated with this bulletin.

**MATERIAL:**

**Required Material:**

The following material is required for the accomplishment of this bulletin and may be obtained through your Bell Helicopter Textron Supply Center.

<u>Part Number</u>	<u>Nomenclature</u>	<u>Qty</u>
6D1001	Cover, Access	1
90-115-1	Nipple	3

**SPECIAL TOOLS:**

None required.

**WEIGHT AND BALANCE:**

Not affected.

**ELECTRICAL LOAD DATA:**

Not affected.

**REFERENCES:**

BHT-206L-SERIES-IPB, Illustrated Parts Breakdown  
BHT-206L-MM, Maintenance Manual  
BHT-206L1-MM, Maintenance Manual  
BHT-206L3-MM, Maintenance Manual  
BHT-206L4-MM, Maintenance Manual  
BHT-ELEC-SPM - Electrical Standard Practices Manual

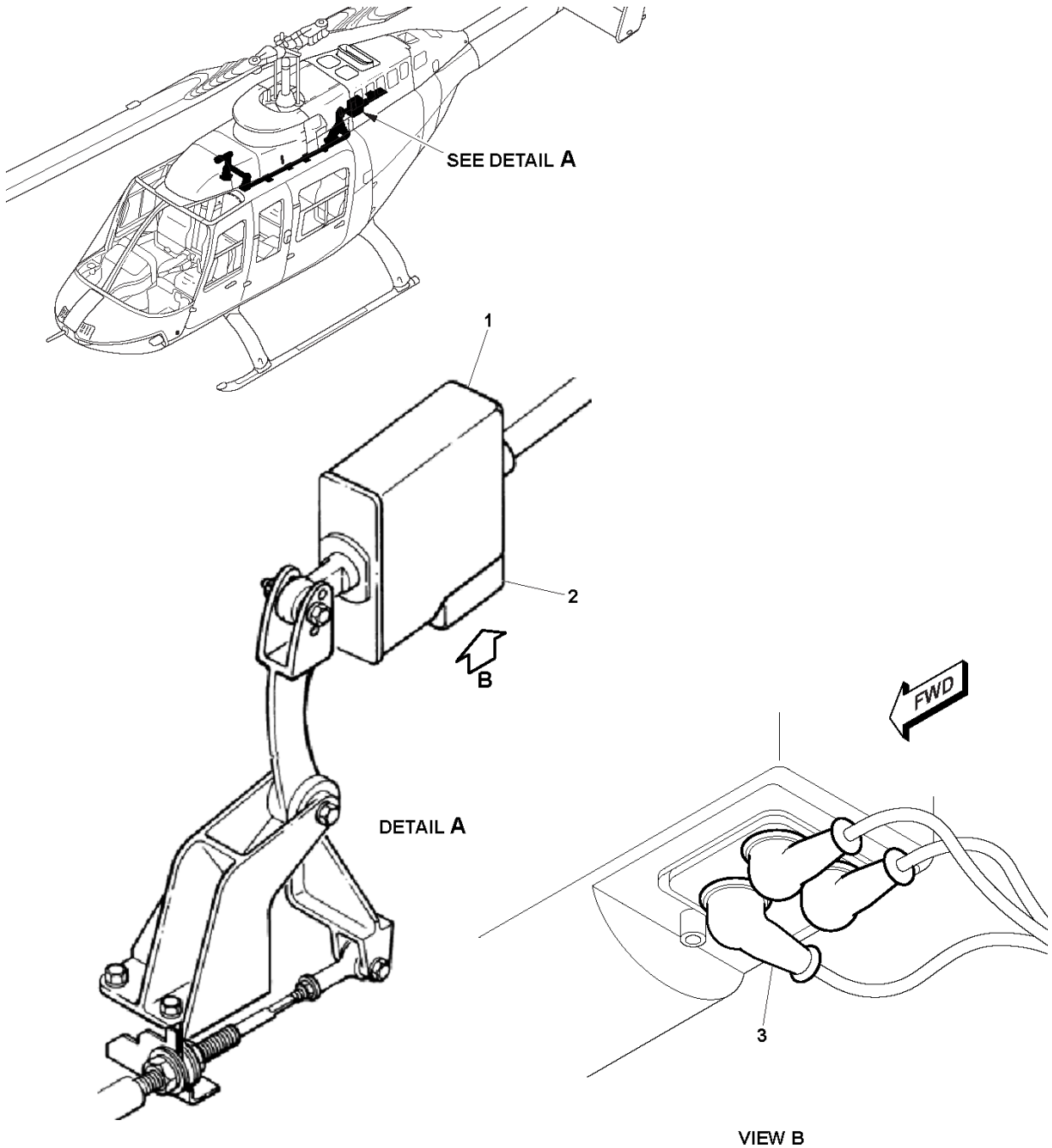
**PUBLICATIONS AFFECTED:**

BHT-206L-SERIES-IPB, Illustrated Parts Breakdown  
BHT-206L-MM, Maintenance Manual, Chapter 76  
BHT-206L1-MM, Maintenance Manual, Chapter 76  
BHT-206L3-MM, Maintenance Manual, Chapter 76  
BHT-206L4-MM, Maintenance Manual, Chapter 76

**ACCOMPLISHMENT INSTRUCTIONS:**

1. Prepare the helicopter for maintenance.
2. Inspect linear actuator connector cover (Figure 1, 2) for condition and security.
  - a. Cracks emanating from the attachment point screw area are not acceptable, and requires replacement of the connector cover (2).

- b. Cracks not emanating from the attachment point screw area are acceptable, however, must be stopped drilled to prevent propagation.
  - c. Damage to the connector cover (2) that exposes the wire terminals is not acceptable, and requires replacement of the connector cover (2).
  - d. Any other damage not affecting the security of attachment of the connector cover (2) or exposing the wire terminals are acceptable.
3. If a serviceable linear actuator connector cover (2) is not available as a replacement part, remove the cover (2) and install nipples 90-115-1 (3) on the three electrical connectors.
- a. Remove the cover and disconnect the actuator electrical terminals one at a time to prevent mixing the cables.
  - b. Install a protective nipple 90-115-1 (3) on each terminal.
  - c. Reconnect terminals and move the protective nipple (3) into position over the attachment studs.
4. Make an entry in the helicopter logbook and historical service records indicating compliance with this Technical Bulletin.



- 1. Line actuator
- 2. Cover (6D1001)
- 3. Nipple (90-115-1)

**Figure 1 - Linear Actuator**

17736\_002