



A Textron Company

ALERT SERVICE BULLETIN

206L-24-191
16 December 2024

MODEL AFFECTED: 206L, 206L-1, 206L-3 and 206L-4

SUBJECT: AIRFRAME FUEL FILTER ASSEMBLY 222-366-621-105 DRAIN HOLE, INSPECTION OF

HELICOPTERS AFFECTED: Serial numbers 45001 through 45153, 46601 through 46617, 45154 through 45790, 51001 through 51612, 52001 through 52496.

COMPLIANCE: Within 330 flight hours or 12 months whichever occurs first, following the release date of this bulletin.

DESCRIPTION:

Bell has been made aware of potential condition of mislocated filter bowl drain hole on airframe fuel filter assembly 222-366-621-105. This Alert Service Bulletin mandates the filter bowls identified with a mislocated drain hole to be removed from service.

Applicability of this bulletin to any spare part shall be determined prior to its installation on an affected helicopter.

APPROVAL:

The engineering design aspects of this bulletin are Transport Canada Civil Aviation (TCCA) approved.

CONTACT INFO:

For any questions regarding this bulletin, please contact:

Bell Product Support Engineering
Tel: 1-450-437-2862 / 1-800-363-8023 / productsupport@bellflight.com

MANPOWER:

Approximately 1 man-hour is required to complete this bulletin. This estimate is based on hands-on time and may vary with personnel and facilities available.

WARRANTY:

There is no warranty credit applicable for parts or labor associated with this bulletin.

MATERIAL:

Required Material:

The following material is required for the accomplishment of this bulletin and may be obtained through your Bell Supply Center.

<u>Part Number</u>	<u>Nomenclature</u>	<u>Qty (Note)</u>
222-366-621-105	Fuel Filter Assembly	1 (1)
MS29512-12	Fuel Filter Head Packing	2 (1)
MS29512-04	Drain Valve Packing	1
MS29513-238	Filter Bowl Packing	1
222-366-643-001	Filter Element	1 (2)
222-366-644-001	Filter Element Seal	2

NOTES:

1. Only required if the filter bowl drain hole is found mislocated during the inspection.
2. Only required if filter bowl drain hole is correctly located and accomplishment instructions of this ASB are performed in conjunction with scheduled airframe fuel filter replacement (Table 12-1, Applicable 206L SERIES MM)

Consumable Material:

The following material is required to accomplish this bulletin, but may not require ordering, depending on the operator's consumable material stock levels. This material may be obtained through your Bell Supply Center.

<u>Part Number</u>	<u>Nomenclature</u>	<u>Qty (Note)</u>	<u>Reference *</u>
N/A	Turbine fuel	A/R	C-003
1650-03297-00	Wire, Safety, CRES, 0.032"	Roll (1 LB) (1)	C-405

* C-XXX numbers refer to the consumables list in the BHT-ALL-SPM, Standard Practices Manual

NOTE 1: Quantity indicated is the format that the product is delivered in. Actual quantity required to accomplish the instructions in this bulletin may be less than what has been delivered.

SPECIAL TOOLS:

None required.

ELECTRICAL LOAD DATA:

Not affected.

REFERENCES:

Applicable 206L SERIES MM Maintenance Manual, Chapter 28
BHT-206L-SERIESIPB Illustrated Part Breakdown, Chapter 28

PUBLICATIONS AFFECTED:

None affected.

ACCOMPLISHMENT INSTRUCTIONS:

1. Prepare the helicopter for maintenance.

-NOTE-

This inspection can be accomplished in conjunction with the scheduled airframe fuel filter replacement (Table 12-1, Applicable 206L SERIES MM).

2. Make sure the helicopter is grounded.
3. Disconnect the helicopter electrical power.
4. Open the right lower engine cowl.
5. Turn the handle on the manual drain valve (8, Figure 1) and drain the fuel from the fuel filter bowl (4).
6. Remove the drain hose (7) from the manual drain valve (8).
7. Loosen the nut (6) and remove the manual drain valve (8) and the packing (5) from the fuel filter bowl (4). Discard the packing (5).
8. Remove the lockwire from the filter bowl (4) and the filter head (1).
9. Turn the filter bowl (4) and unscrew the filter bowl from the filter head (1).

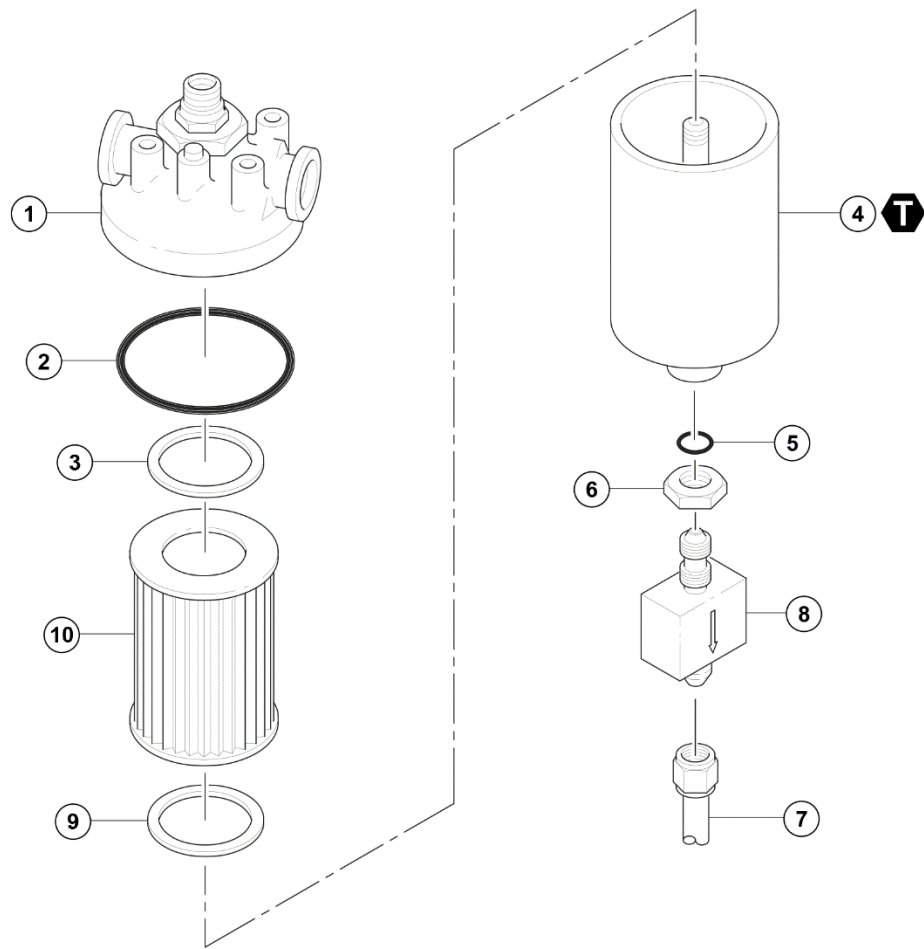
10. Remove the filter element (10), filter head element seal (3), filter bowl element seal (9), and packing (2). Discard seals and packings.
11. Examine the filter bowl drain boss to confirm if the drain hole is mislocated (Figure 2).
 - a. If 2 threads or more are present between the packing seating surface and the edge of the drain hole, the drain hole position is acceptable. Proceed to step 12.
 - b. If less than 2 threads are present between the packing seating surface and the edge of the drain hole, replace the fuel filter assembly 222-366-621-105 (Applicable 206L SERIES MM, Chapter 28).
12. Apply a light layer of Turbine fuel (C-003) on the packing (2, Figure 1) and install the packing on the filter head (1).
13. Install the filter head element seal (3) on the filter head (1) and the filter bowl element seal (9) on the filter bowl (4).
14. Install the filter element (10) in the filter bowl (4).
15. Align the filter bowl (4) with the filter head (1) and install the bowl on the filter head.
16. Torque the filter bowl (4) to 100 to 150 in-lbs (11 to 16 Nm).
17. Safety the filter bowl (4) to the filter head (1) with Lockwire (C-405).
18. Apply a light layer of Turbine fuel (C-003) on the packing (5) and install the packing in the drain port of the filter bowl (4).
19. Install the manual drain valve (8) in the drain port of the filter bowl (4) and safety with the nut (6).
20. Install the drain hose (7) on the manual drain valve (8).
21. Connect the helicopter electrical power.

-NOTE-

If available, it is recommended to use a Ground Power Unit (GPU) to accomplish this procedure.

22. Set the battery switch to the ON position.
23. Set the fuel shut off valve to the ON position (opened).

24. On the overhead console, set the LEFT BOOST and RIGHT BOOST pump to ON to pressurize the fuel system. Verify all the caution lights extinguish. Check fuel pressure indication.
25. Open fuel filter manual drain valve (8) until there is no evidence of air coming out of the fuel drain hose (7).
26. Examine the fuel filter assembly for signs of leaks.
27. Set the LEFT BOOST pump and the RIGHT BOOST pump to OFF.
28. Purge the air from the engine fuel system (Applicable 206L SERIES MM, Chapter 28 and applicable Rolls Royce Operation and Maintenance Manual).
29. Set the fuel shut off valve to the OFF position (closed).
30. Set the battery switch to the OFF position.
31. Disconnect the helicopter electrical power.
32. Close the right lower engine cowl.
33. Make an entry in the helicopter logbook and historical service records indicating compliance with this Alert Service Bulletin.

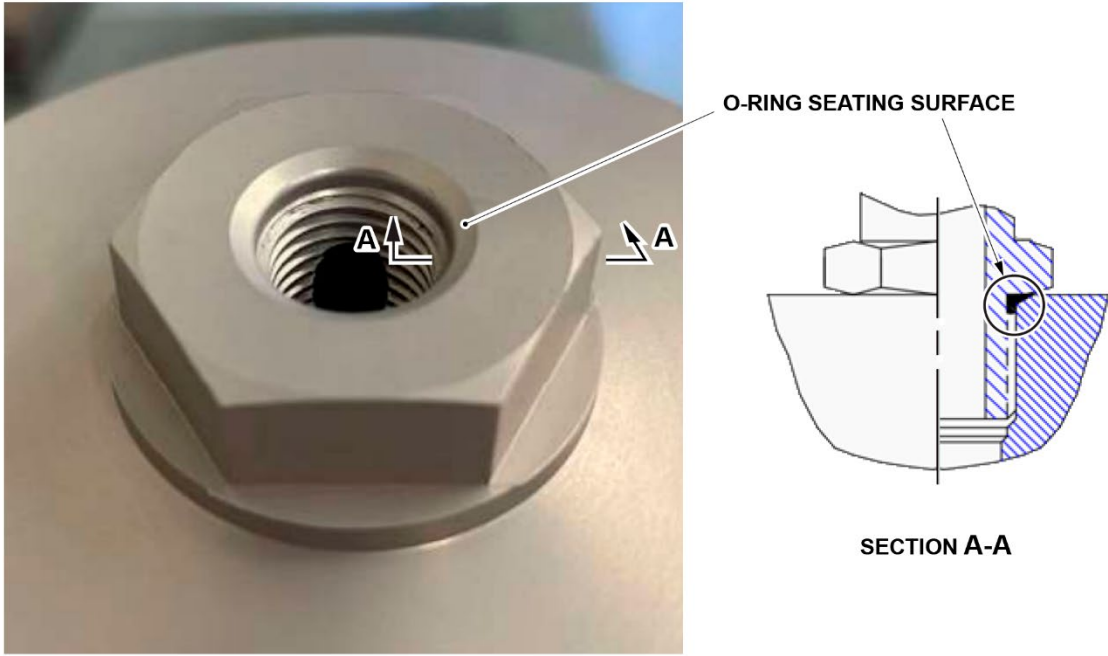


1. Filter head
2. Packing
3. Filter element seal
4. Filter bowl
5. Packing
6. Nut
7. Drain hose
8. Drain valve
9. Filter element seal
10. Filter element

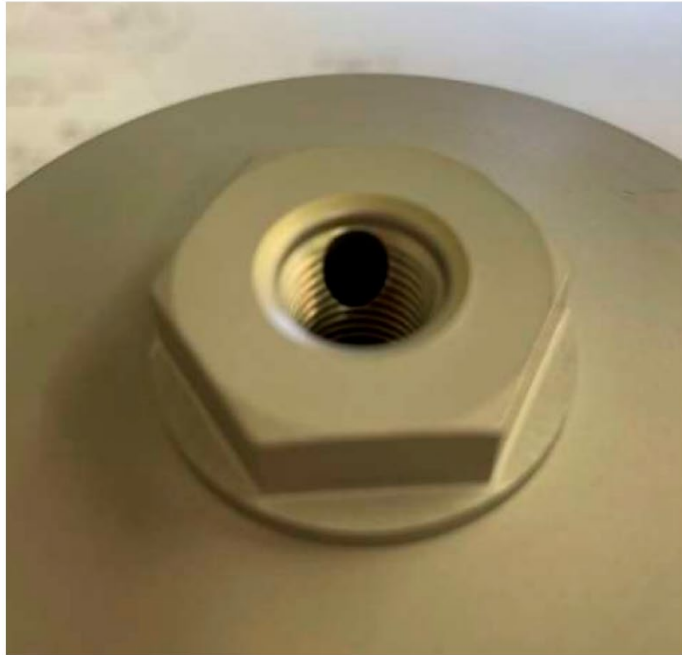
T 100 TO 150 IN-LBS
(11 TO 16 Nm)

24570_001

Figure 1 – Airframe fuel filter removal and installation



ACCEPTABLE DRAIN HOLE POSITION



MISLOCATED DRAIN HOLE

24570_002

Figure 2 – Airframe fuel filter bowl drain hole