

ALERT SERVICE BULLETIN

429-17-36  
6 March 2017

**MODEL AFFECTED:** 429

**SUBJECT:** CONDENSER FAN MOTOR MOUNT FASTENER,  
INSPECTION OF.

**HELICOPTERS AFFECTED:** Serial number 57001 through 57298, 57306, 57313,  
57316, 57317.

[Serial number 57299 through 57305, 57307 through  
57312, 57314, 57315, 57318 and subsequent will have  
the intent of bulletin accomplished prior to delivery.]

**COMPLIANCE:** Refer to attached Air Comm Corporation (ACC)  
service bulletin SB 429-201-1 Rev NC.

**DESCRIPTION:**

The purpose of this bulletin is to achieve complete distribution of the attached supplier bulletin to the current affected model Technical Publications distribution list on record by Bell Helicopter Textron.

Applicability of this bulletin to any spare part shall be determined prior to its installation on an affected helicopter

**APPROVAL:**

Refer to attached Air Comm Corporation (ACC) service bulletin SB 429-201-1 Rev NC.

**CONTACT INFO:**

For any questions regarding this bulletin, please contact:

Air Comm Corporation  
Tel: 303-440-4075  
Email: [service@aircommcorp.com](mailto:service@aircommcorp.com)

**Service Bulletin**

**Title:** SB 429-201-1 Bell 429 Condenser Fan Motor Mount Fastener Inspection

**Date:** February 17, 2017

**Applicability:** Bell Helicopter Textron Canada Limited 429 Aircraft equipped with any Air Comm Corporation 429EC-200 or 429EC-202 Air Conditioning Systems.

**Reference:** FAA STC # SR00693DE

**Compliance:** Recommended inspection within 20 flight hours.

Revision	Issue Date	Inserted By	Approved by	Description of Changes
NC	2/17/17	CRP	LCB	Initial Release

**A. Discussion:**

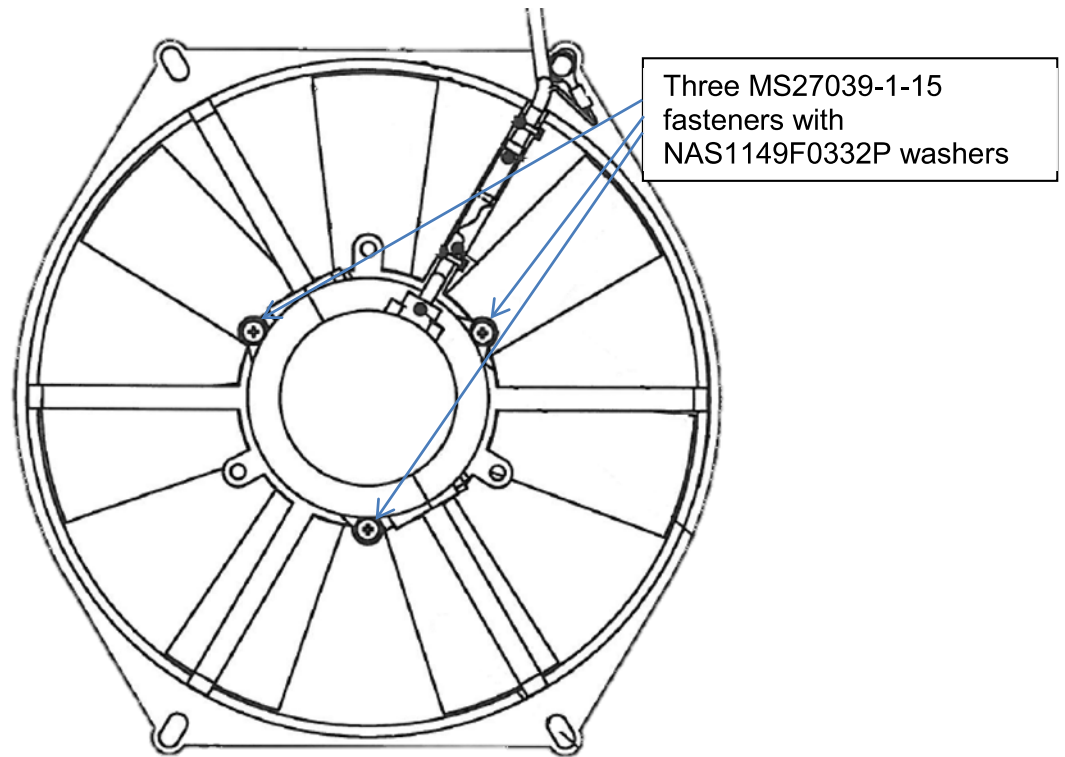
During an annual inspection, an operator reported finding the condenser fan motor detached from the condenser blower assembly and resting on the collective control tube. The condenser fan motor is secured to the condenser blower assembly by 3 fasteners with thread locker applied. Evidence suggests that some motor mount fasteners may have had misapplied thread locker.

**B. Procedure:**

Follow the procedure listed below:

1. Locate and visually inspect the condenser fan motor securement. Refer to Figure 1 to identify the three MS27039-1-15 fasteners mounting the condenser motor to the condenser blower assembly.
2. If the condenser fan motor is not attached to the condenser blower assembly:
  - a. Report incident to ACC at: Phone 303-440-4075, Fax 303-440-6355, or E-mail [service@aircommcorp.com](mailto:service@aircommcorp.com)
  - b. Inspect surrounding area for damage. Repair and replace as required per Bell maintenance instructions.
  - c. If replacement components are available, before next flight, replace condenser blower assembly per 429EC-200M-1 Instructions for Continued Airworthiness (ICA). Skip to step 5 of this procedure and log the completion of this service bulletin.
  - d. If replacement components are not available, before next flight, DEACTIVATE air-conditioning system per instructions below.
    - i. Pull and red collar the air-conditioning COND circuit breaker.
    - ii. Pull and red collar the air-conditioning COMP circuit breaker.
    - iii. Remove the compressor drive belt per the ICA.
    - iv. Remove motor and cap and stow wiring harness.
    - v. Fan blade will be loose but will remain fully retained inside the shroud.

- vi. Make log entry that the air-conditioning system is DEACTIVATED per ACC service bulletin SB 429-201-1.
    - vii. Skip to step 5 of this procedure and log the completion of this service bulletin.
3. If any MS27039-1-15 fasteners are missing or loose or the condenser fan motor is not firmly secure to the condenser blower assembly:
  - a. Report the incident to ACC at: Phone 303-440-4075, Fax 303-440-6355, or E-mail [service@aircommcorp.com](mailto:service@aircommcorp.com)
  - b. Inspect surrounding area for damage. Repair and replace as required per Bell maintenance instructions.
  - c. Visually inspect the fan shroud for damage.
  - d. Rotate the fan blades by hand and verify clearance between the blades and the shroud.
  - e. If the fan blades are scraping or rubbing against the shroud or there is visible damage to the fan shroud from the blades.
    - i. If replacement components are available, before next flight, replace condenser blower assembly per 429EC-200M-1 Instructions for Continued Airworthiness (ICA). Skip to step 5 of this procedure and log the completion of this service bulletin.
    - ii. If replacement components are not available, before next flight, DEACTIVATE air-conditioning system per instructions below.
      - a) Pull and red collar the air-conditioning COND circuit breaker.
      - b) Pull and red collar the air-conditioning COMP circuit breaker.
      - c) Remove the compressor drive belt per the ICA.
      - d) Secure motor per step 4 of this section.
      - e) Make log entry that the air-conditioning system is DEACTIVATED per ACC service bulletin SB 429-201-1.
4. Replace missing fasteners and remove and reinstall existing fasteners as follows:
  - a. Clean the threads of the fastener of any debris and/or existing thread locker residue.
  - b. If no thread locker is found on existing fasteners, report incident to ACC at: Phone 303-440-4075, Fax 303-440-6355, or E-mail [service@aircommcorp.com](mailto:service@aircommcorp.com)
  - c. Apply Loctite 222 to the fastener threads and re-install fastener with 20 to 25 in-lbf torque.
  - d. Once all fasteners are secure, apply torque stripe to the head of each fastener.
  - e. Allow a minimum of 6 hours for Loctite to cure prior to aircraft flight operations.
5. Make log entry that this service bulletin SB 429-201-1 has been performed.



**Figure 1**

**C. Approval:**

This bulletin is based on previously FAA-approved data.

**D. Weight & Balance:**

Changes to weight & balance as a result of this service bulletin has been determined to be negligible.